

# Parts Diagram

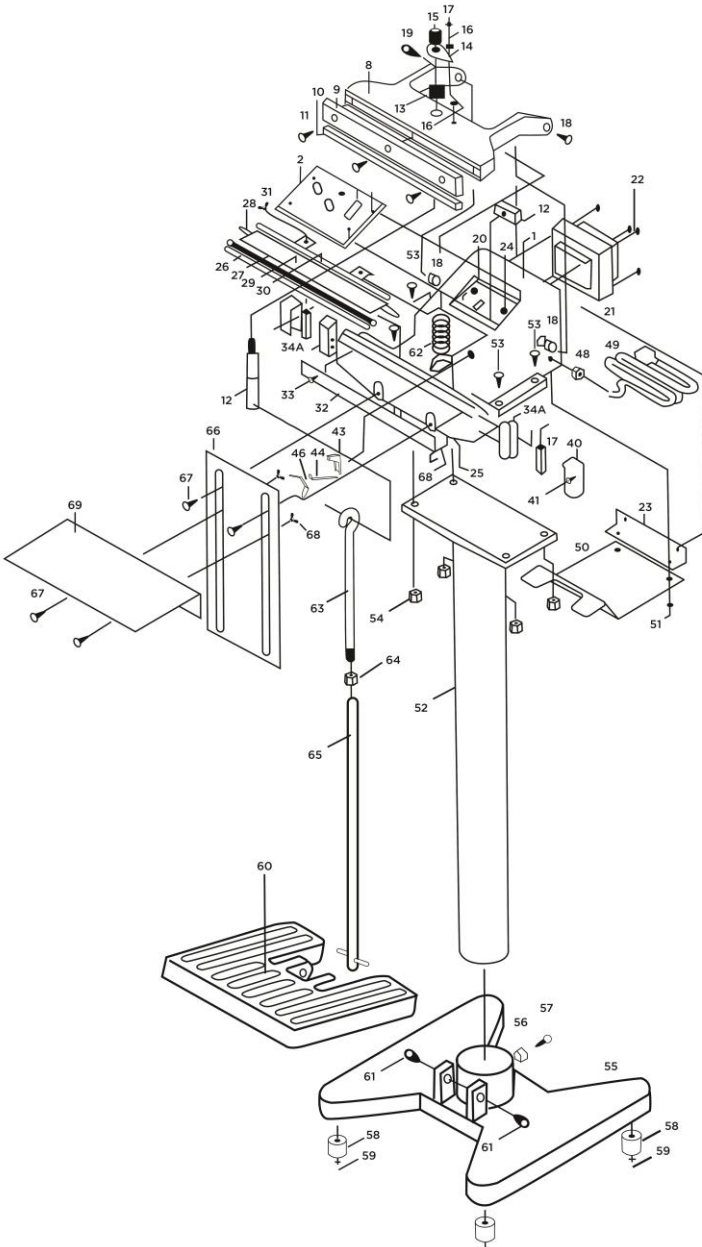


Figure 1. Spare Parts Diagram Overview

**KF-SERIES FOOT SPARE PARTS DIAGRAM**

Figure 2. Spare Parts Diagram Overview

Item	Part #	Description	Comments
RKs	RK-Model#	<b>REPLACEMENT KITS</b> Includes (2) elements, (2) PTFE adhesives, and 1ft PTFE cover	specify model # when ordering
1		Body	
2	<b>T-KFF</b>	Timer	specify ETL or non-ETL
3	<b>KFF-3</b>	Pilot Lamp	
4	<b>KFF-4/4A</b>	Fuse Holder	
4A		Fuse 15amp	
5	<b>TISF-4</b>	Timer Knob	
6		On/Off Switch	
7		5/32 x 1/4 Plane Screw	
8		Upper Jaw	
9		Sealing Plate	
10	<b>SR-model#</b>	Silicone Rubber	specify model # when ordering
11		5/16 x 1/4 Screw	
12	<b>KFF-12</b>	Upper Puller	
13	<b>KFF-13</b>	Pressing Spring, Small	
14	<b>KFF-14</b>	Puller Fixed Plate	
15	<b>KFF-15</b>	Upper Puller Fixed Nut	
16	<b>KFF-16</b>	3/16 Nut	
17	<b>KFF-17</b>	3/16 x 2 1/2 Screw	
18		Axis Collar	
19	<b>KFF-19</b>	3/8 x 1 Screw	
20		3/8 Nut	
21	<b>TRNS-model#</b>	Transformer	specify model # when ordering
21-1	<b>KFF-21-1</b>	Transformer Cover	
22		3/16 x 2 1/2 Screw	
23		Guard Plate / Fixed Plate	
24		3/16 Nut	
25		1/4 x 3/4 6 Corner Screw	
26	<b>TA-12</b> <b>TA-18</b> <b>TA-24</b>	PTFE Adhesive Cloth	specify model # when ordering
27	<b>HE-Model#</b>	Heating Element	specify model # when ordering
28		PTFE Roller	specify model # when ordering
29	<b>TA-12-12</b> <b>TA-18-12</b> <b>TA-24-12</b>	PTFE Cloth	specify model # when ordering
30		PTFE Rear Press Bar	
31		1/4 Nut	
32		PTFE Front Press Plate	
33		3/16 x 1/2 Plane Screw	

**KF-SERIES FOOT SPARE PARTS DIAGRAM**

**Figure 3. Spare Parts Diagram Overview**

Item	Part #	Description	Comments
34A	<b>HTAB-KFF</b>	Heating Terminal Assembly (Includes #34-38)	<b>Includes #34-38</b>
34	<b>HTAB-KFF</b>	Heating Element Fixed Ass. Case	<b>Includes #34-38</b>
35	<b>HTAB-KFF</b>	Heating Element Fixed Assorted Screw	<b>Includes #34-38</b>
36	<b>HTAB-KFF</b>	Heating Element Fixed Assorted Bolt	<b>Includes #34-38</b>
37	<b>HTAB-KFF</b>	Heating Element Fixed Assorted Driving Plate	<b>Includes #34-38</b>
38	<b>HTAB-KFF</b>	Heating Element Fixed Assorted Fixed Bolt	<b>Includes #34-38</b>
39		5/32 x 1 Screw	
40		Heating Terminal Cover, End Cap	
41		1 1/4 Plane Screw	
42	<b>MSW-KFF</b>	Microswitch	
43		Miscroswitch Upper Fixed Plate	
44		Miscroswitch Lower Fixed Plate	
45		Microswitch Fixed Nut	
46		Microswitch Driving Plate	
47		Microswitch Fixed Bolt	
48		Buckle (Bushing)	
49	<b>PWC-KF</b>	Power Cord	
50		Guard Plate / Fixed Plate	
51		5/32 x 1/4 Plane Screw	
52		Stand	
53		5/16 x 16 Corner Screw	
54		5/16 Nut	
55		Base	
56		5/16 Nut	
57		5/16 x 3/4 6 Corner Screw	
58		Rubbert Foot	
59		5/16 x 3/4 6 Plane Screw	
60	<b>FB-KFF</b>	Pedal	
61		3/8 x 1 1/2 6 Corner Screw	
62		Pressing Spring, Large	
63A		Pulling Pole Set (Includes #63, 64, 65)	
63		Down Puller Hook	
64		5/16 Nut	
65		Down Puller Hook	
66		Level Plate	
67		1/4 x 16 Corner Screw	
68		1/4 Nut	
69		Working Plate	