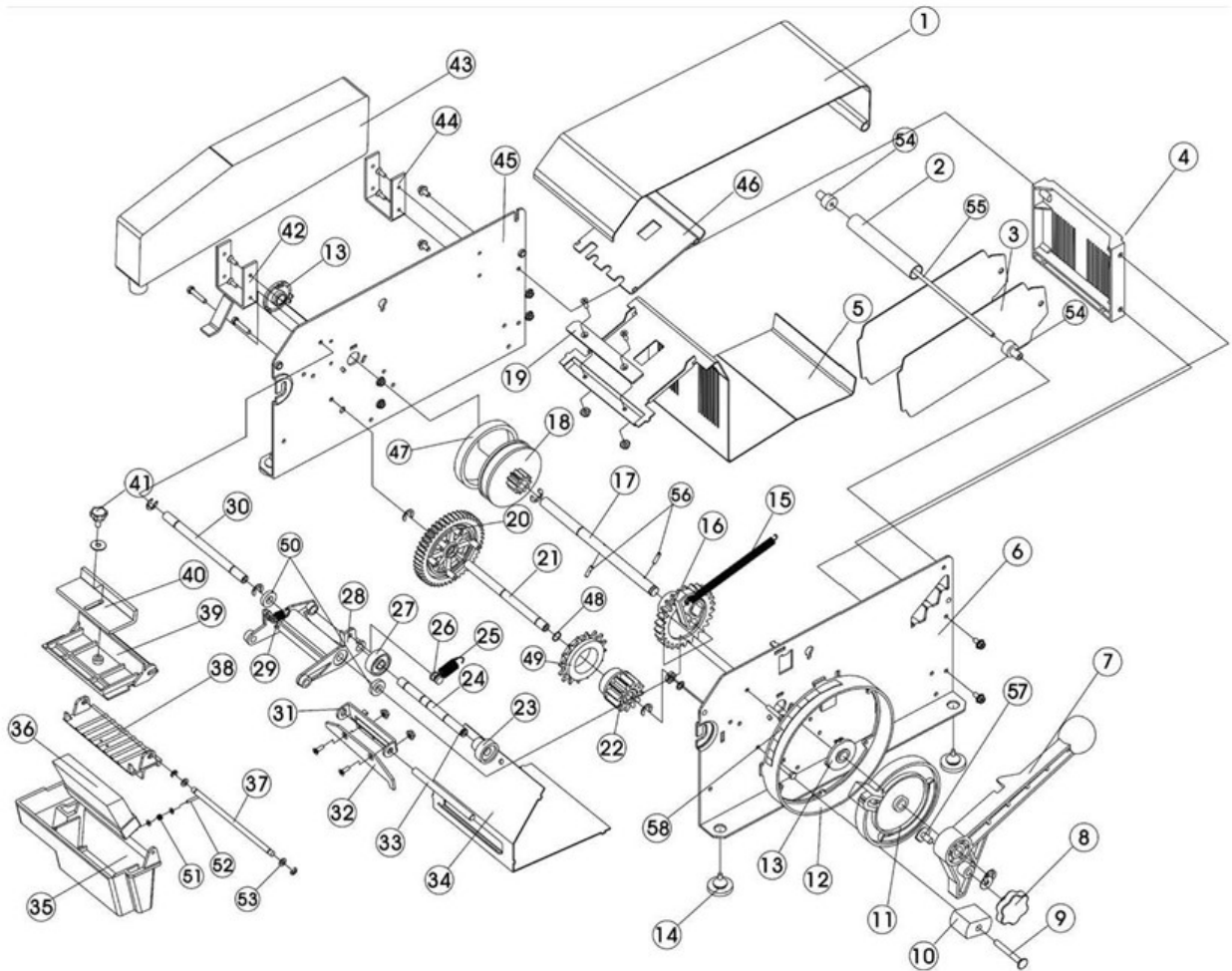


# Spare Parts Diagram: SS-800



**Distributed by:**  
**DWC Packaging Systems**  
**1201 South Boyle Avenue,**  
**Los Angeles, CA. 90023**  
**ph 323-266-6167**

Item	Description	Item	Description
SS800-1	Top Cover Plate	SS800-30	Cutter Yoke Shaft
SS800-2	Tape Roller	SS800-31	Cutter Frame
SS800-3	Side Guides	SS800-32	Upper Blade
SS800-4	Rear Cover	SS800-33	Cutter Frame Shaft
SS800-5	Bottom Plate	SS800-34	Tank Support Frame
SS800-6	Right Side Frame	SS800-35	Moistening Brush Tank
SS800-7	Handle Lever	SS800-36	Moistening Brush
SS800-8	Clamping Nut	SS800-37	Tank Shaft
SS800-9	Screw	SS800-38	Lower Tank Plate
SS800-10	Rubber Stop Block	SS800-39	Brush Pressure Plate
SS800-11	Red Scale Mark	SS800-40	Weight
SS800-12	Black Scale Mark	SS800-41	Claming Nut
SS800-13	Plastic Bearing	SS800-42	Front Bottle Bracket
SS800-14	Rubber Foot	SS800-43	Water Tank
SS800-15	Handle Return Spring	SS800-44	Rear Bottle Bracket
SS800-16	Cam Gear	SS800-45	Left Side Frame
SS800-17	Main Shaft	SS800-46	Upper Tape Plate
SS800-18	Lower Feed Wheel Gear	SS800-47	Lower Feed Wheel Tread
SS800-19	Lower Blade	SS800-48	Sealing Ring
SS800-20	Plastic Drive Gear	SS800-49	Sprocket
SS800-21	Drive Gear Shaft	SS800-50	Set Collar
SS800-22	Gear	SS800-51	Tank Pressure Spring
SS800-23	Pinch Roller	SS800-52	M3x18 Screw
SS800-24	Pinch Roller Shaft	SS800-53	Copper Washer
SS800-25	Cutter Yoke Spring	SS800-54	Tape Roller End Cover
SS800-26	Nut	SS800-55	Tape Roller shaft
SS800-27	Upper Feed Wheel	SS800-56	4x20 Pin
SS800-28	Cutter Yoke	SS800-57	Handle Fixing Pin
SS800-29	Upper Blade Tension Spring	SS800-58	Ruler Label

When ordering parts, add the prefix 161M- to the above part numbers.