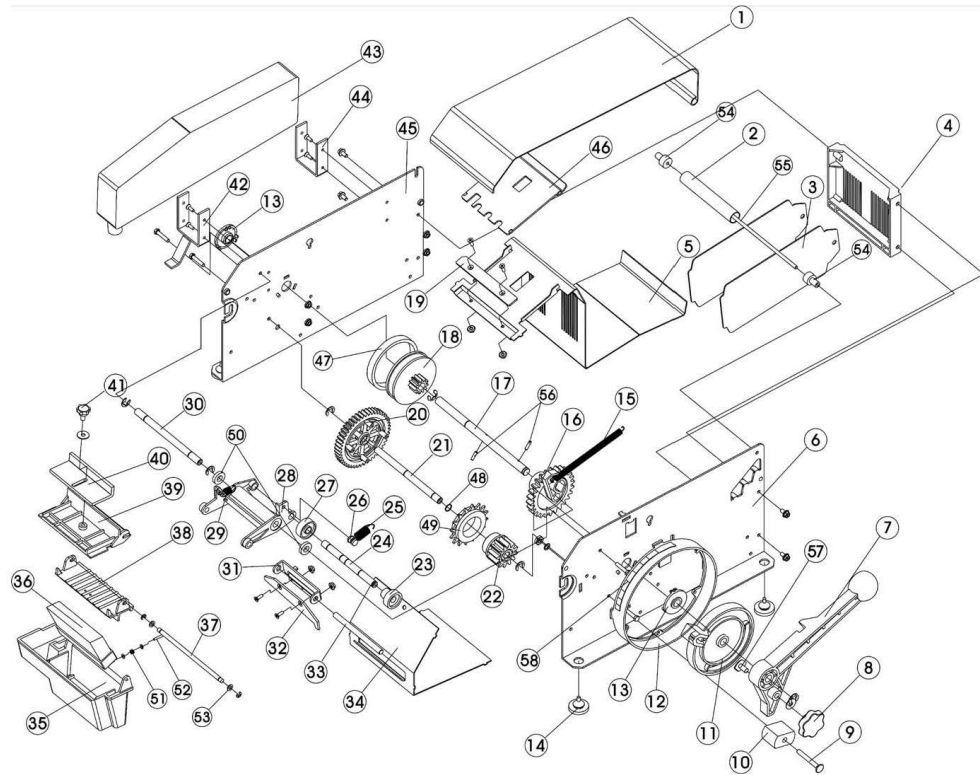


Spare Parts Diagram: SS-800



SS - 800 SPARE PARTS DIAGRAM

Item	Description	Item	Description
1	Cover plate of housing	30	Shaft of cutting blade arm
2	Roller	31	Upper tool rest
3	Partition board	32	Upper cutting blade
4	Rear cover	33	Shaft of tool rest
5	Bottom plate	34	Bottom board
6	Right cover plate	35	Water tank
7	Lever	36	Moistening brush
8	Clamping nut	37	Copper shaft
9	Screw	38	Hold down plate
10	Yielding rubber	39	Upper cover plate of water tank
11	Red scale mark	40	weight
12	Black scale mark	41	Claming nut
13	Plastic blank cap	42	Front bottle holder
14	Rubber foot	43	Water reservoir
15	Tension spring	44	Rear bottle holder
16	Cam gear	45	Left cover plate
17	Spindle	46	
18	Rubber wheel	47	Chape
19	Bottom cutting blade	48	Sealing ring
20	Plastic driven gear	49	Sprocket
21	Driven gear shaft	50	Set collar
22	Gear	51	Pressure spring
23	Pinch roller	52	M3x18 screw
24	Pinch roller shaft	53	Copper cushion gasket
25	Tension spring	54	End cover
26	Nut	55	Roller shaft
27	Feeding wheel	56	4x20 pin
28	Cutting blade arm	57	Fixing pin
29	Tension spring	58	Ruler label